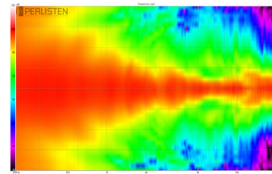
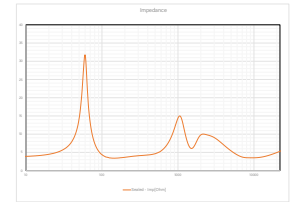


Horizontal Directivity



Vertical Directivity



Impedance

MODEL R5c



TECHNICAL SPECIFICATIONS



Designed to be mounted on optional stand, or mounted to a wall with our tilt swivel bracket. Sharing "trickle-down" technology from our flagship S-Series, the DPC-Array here based on three 26mm domes, guarantees excellent directivity control and timbre matching with all R-Series speakers. The Silk diaphragms developed ground up, chosen specifically their smooth, effortless representation of midrange and treble. The 165mm woofers are made from our proprietary HPF pulp, two years in development, bringing new technology to one of the oldest materials used in loudspeaker design.

BASIC

Dimensions (HxWxD)
240 x 550 x 270mm
9.5 x 21.6 x 10.6"

Weight
15.0 kg (33.0 lbs.)

Available finishes
High Gloss Black

TECHNICAL

Enclosure Alignment
3-way acoustic suspension

Driver complement
DCP-Array: 26mm(3) Silk dome
Woofers: 165mm(2) HPF diaphragms

Sensitivity
88.6dB / 2.83v / 1.0m

Impedance
4Ω nominal / 3.4Ω min

Response Linearity
80 - 20kHz +/-1.5dB window

Frequency Response (-10dB)
49 - 32kHz

Typical In Room bass extension
44Hz

Recommended Amplifier Power
100 - 250W RMS

SPL capability @1m (100-20kHz)
112.6dB peak
111.0dB peak <3% - 2nd, 3rd Harmonics

Certification
THX Dominus, THX Ultra

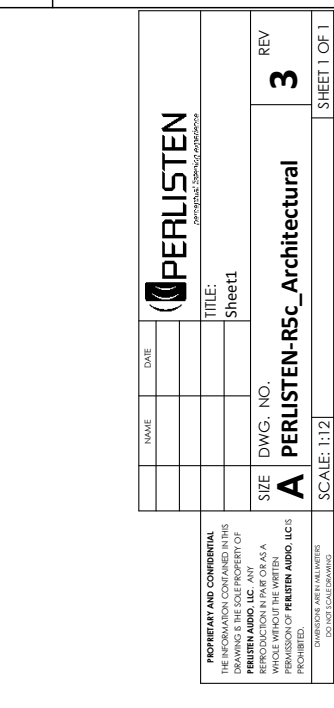
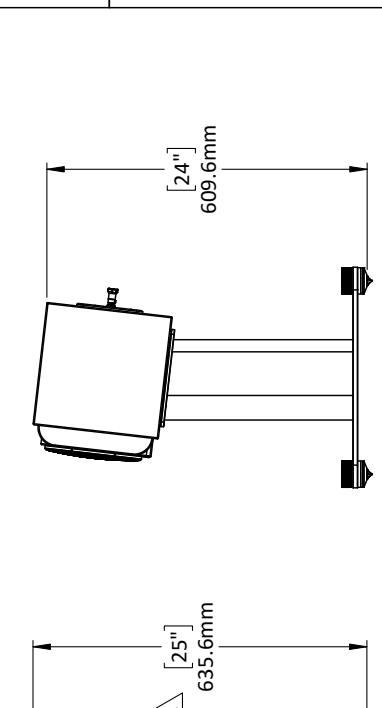
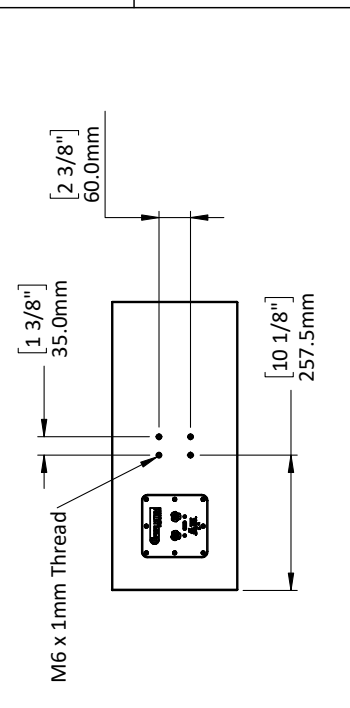



DPC Array
Directivity pattern control
*USA Patent pending



HPF (Hybrid Pulp Formulation)
Diaphragms made from mixed long fiber hardwood, bamboo and wool

REVISIONS		DATE
REV.	DESCRIPTION	
1	Initial Release	3/7/21
2	Enclosure depth was 236mm, changed overall height	3/14/2021
3	Added grill and terminal dimensions	4/1/2021





PERLISTEN AUDIO, LLC

PROPRIETARY AND CONFIDENTIAL
THE INFORMATION CONTAINED IN THIS DRAWING IS THE SOLE PROPERTY OF PERLISTEN AUDIO, LLC. ANY REPRODUCTION OR TRANSMISSION OF THIS INFORMATION WITHOUT THE WRITTEN PERMISSION OF PERLISTEN AUDIO, LLC IS PROHIBITED.
DATE: 04/01/2021
SCALE: 1:12

NAME: _____
DATE: _____
TITLE: Sheet1
SIZE: DWG. NO. _____
REV: **3**

A PERLISTEN-R5c_Architectural
DATE: 04/01/2021
SHEET 1 OF 1